

Contact Us:

Michael "Mick"
Peterson, Ph.D.
Design Coordinator
Professor of
Mechanical Engineering
University of Maine
Orono Maine, 04473-
5711

Phone: 207-581-2129

Fax: 207-581-2379

Email: michael.peterson@maine.edu

More Info : http://www.umaine.edu/MechEng/Peterson/MEE_Design.htm



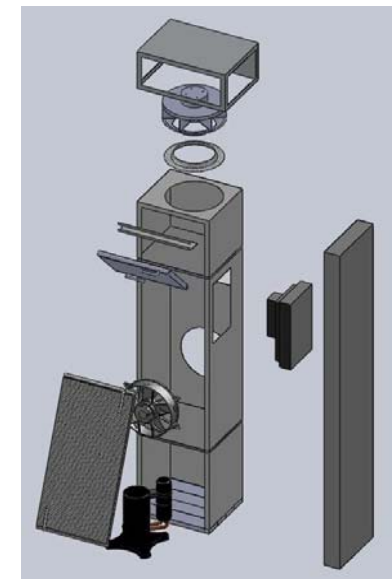
The 2009 Clean Snowmobile Team



Testing the Human Powered Sub

Mechanical Engineering Senior Design Open House

**Crosby Laboratory
Friday
May 8, 2009
2:30 to 5:30 pm**



**Residential Heat
Pump Design**



**Support
provided by:**

*Thomas P.
Hosmer '58
Design
Engineering
Center*

*The College
of
Engineering*

*Mechanical
Engineering*



Levi mounts an anemometer on the communications tower on Matinicus

Schedule of Events:

**Please feel free to stop in
for one or more of
the presentations**

2:30 Welcome and
Introductions

Presentations

2:35 Heat Pump Overview

2:40 Residential Heat Pump

2:50 Compressor Module
for Heat Recovery

3:00 Advanced Water
Power Efforts

3:05 Siphon Turbine
Systems

3:15 Vinylhaven Water
Power

3:25 Tidal Energy at CCAR

3:35 Design of a Turbine
Hub Blade Connection

3:45 Integrated Wind and
Diesel for Islands

3:55 The 2009 CSC Clean
Snowmobile Design

4:00 Snowmobile Noise
Vibration and
Harshness

4:10 Snowmobile Multi-
Fuel Engine Controls

4:20 The 2009 Human
Powered Submarine
Design Overview

4:25 Human Powered Sub
Hull Design

4:35 Human Powered Sub
Hull Design

4:45 Human Powered Sub
Biomechanics

4:55 Questions at Projects